

# SERIES KA CONSTRUCTION HEATER



*Dry wood faster*



*Drywall, tape & mud faster*

**WHEN  
PERFORMANCE  
MATTERS IN  
TEMPORARY HEAT**

## FEATURES

**Built to perform safely and dependably in the harsh conditions encountered on jobsites, the Series KA infrared construction heater will help speed up drying and curing times while providing personnel with a more comfortable working environment - saving time, fuel and money.**

- 360° focused heat band
- Internal reflectors to control heat pattern
- Modulating burner control
- Built in thermostat
- Built in piezo ignition
- 'Quick-Connect' fuel hose connections
- Heavy duty design
- Tip-over safety switch
- Easily carried, easily stacked
- Natural Gas or LPG
- Built in hanging points
- No electricity required



**SUPERIOR TECHNOLOGY • SUPERIOR PERFORMANCE**

# SPECIFICATIONS

## Series KA Construction Heater

### OPERATING SPECIFICATIONS

MODEL	FUEL	RATE	MANIFOLD PRESSURE
KA10N	Natural Gas	60,000 - 100,000 BTUH	5" WC
KA10P	LPG	60,000 - 100,000 BTUH	10" WC

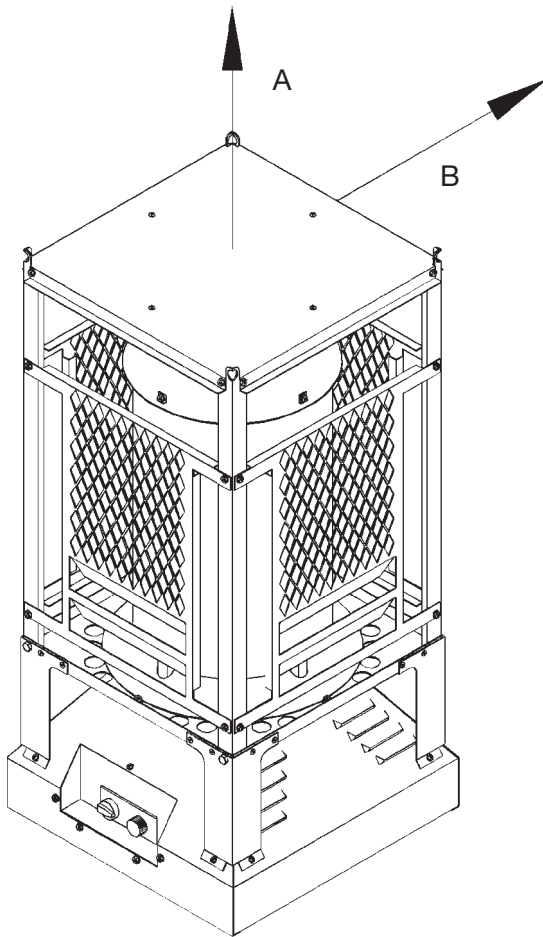
#### STANDARD EQUIPMENT INCLUDES

- Natural Gas - 1/2" Male Quick Connect
- Propane - 3/8" Male Quick Connect

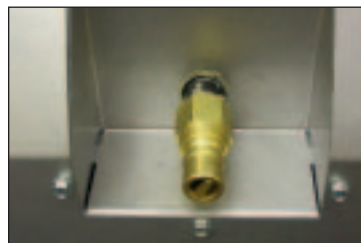
Approved to ANSI Z83.7 / CSA 2.14-2000

### CLEARANCES TO COMBUSTIBLES (Inches)

MODEL	KA10N	KA10P
Clearance Above - <b>A</b>	32"	32"
Clearance to the Side - <b>B</b>	42"	42"



Easy access Ignition & Heat Control



'Quick-Connect' hose connection  
(Approved fuel hose shall be used - available separately)

- Heat surfaces directly
  - don't rely on air-tight covers to keep in the heat
- Raise surface temperature above ambient
  - don't waste heat on the air
  - thaw out walls more quickly
  - dry drywall tape and mud faster



#### SUPERIOR RADIANT PRODUCTS LTD.

428 Millen Rd.,  
Stoney Creek, ON L8E 3N9

Phone: (905) 664-8274  
Toll Free: 1-800-527-HEAT (4328)  
Fax: (905) 664-8846  
Website: [www.superiorradiant.com](http://www.superiorradiant.com)  
Email: [sales@superiorradiant.com](mailto:sales@superiorradiant.com)

DISTRIBUTOR

