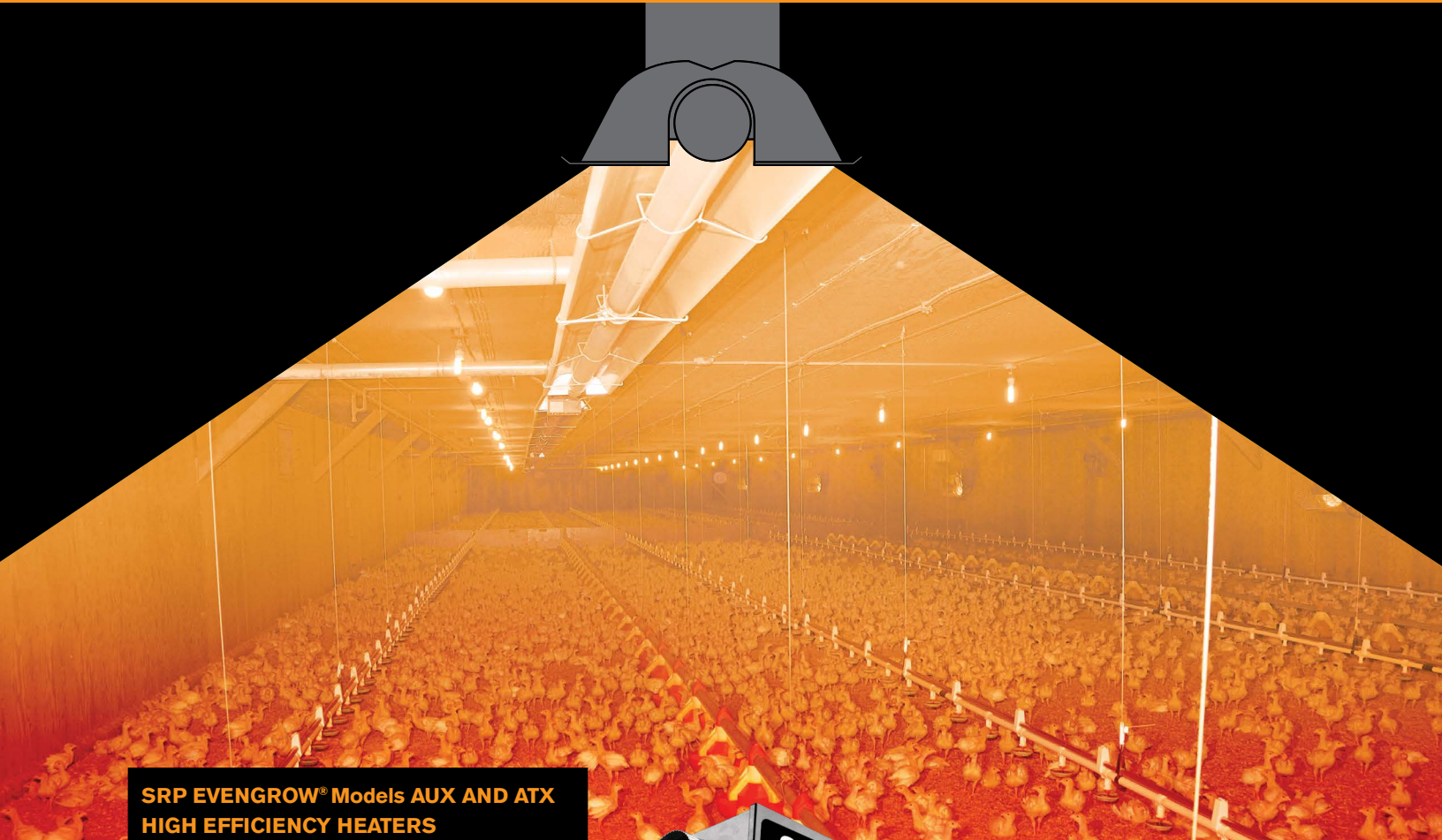




**EVENGROW**  
RADIANT AGRICULTURAL HEATER



**SUPERIOR**  
RADIANT PRODUCTS



**SRP EVENGROW® Models AUX AND ATX  
HIGH EFFICIENCY HEATERS**

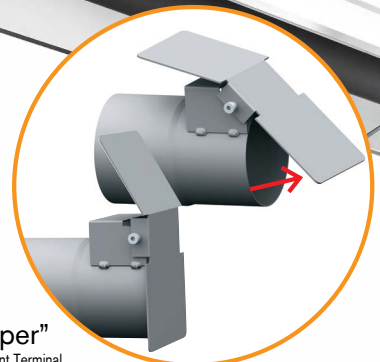
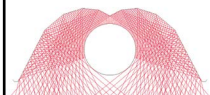
**The SRP EVENGROW Models AUX and ATX infrared tube heaters offer premium high efficiency features for the agricultural industry with special anti-corrosion construction for harsh environments.**

- Waterproof housing for best reliability
- Potted ignition modules
- Single or two stage control capability
- Nickel plated “Jet Stream” burner cup
- 100% efficient reflector mounted horizontally for minimal convective heat loss and ensuring maximum energy is delivered to the floor
- Optional tilted reflector or energy efficient side reflectors for wall mounting
- Sealed maintenance-free blower motor
- Low clearances above for installation close to ceilings
- Use with optional “Flapper” to prevent cold air infiltration when the heater is not running



**Single Stage Model AUX  
Two Stage Model ATX**

100% EFFICIENT  
REFLECTOR  
ON ALL MODELS



The “Flapper”  
Optional Hinged Vent Terminal

# SPECIFICATIONS

## SRP EVENGROW RADIANT AGRICULTURAL HEATERS

MODEL	RATE BTU/HR NG or LPG	MIN. LENGTH (FEET)	MAX. LENGTH (FEET)
AUX-60	60,000	20	30
AUX-80	80,000	20	40
AUX-100	100,000	20	50
AUX-125	125,000	30	50
AUX-150	150,000	40	60
AUX-175	175,000	50	60
ATX-40	40,000/ 30,000	10	20
ATX-60	60,000/ 45,000	20	30
ATX-80	80,000/ 60,000	20	30
ATX-100	100,000/ 75,000	20	30
ATX-125	125,000/ 95,000	30	50

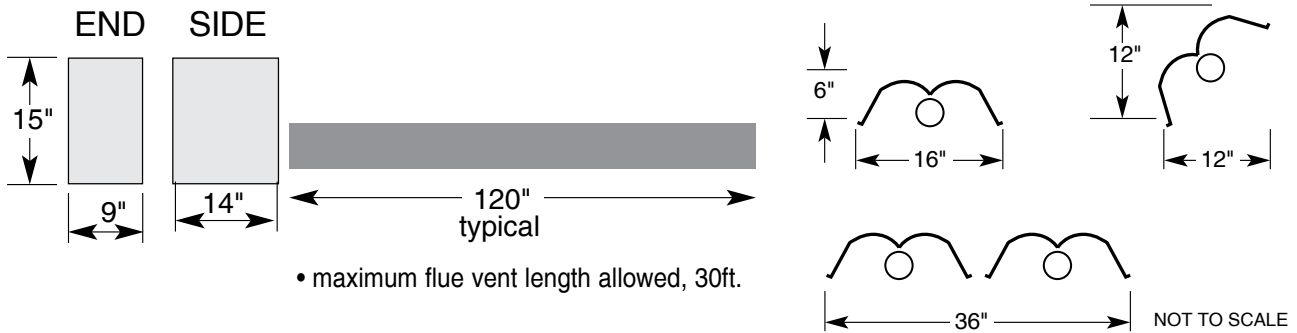
### STANDARD EQUIPMENT INCLUDES

- Sealed burner housing assembly c/w potted module
- HT Aluminized tubing with gasket
- Combustion air inlet collar
- Turbulators when required
- All tube, reflectors, couplings, end caps and hanging accessories per specified length

### OPTIONAL EQUIPMENT

- The "Flapper" hinged vent terminal
- Standard vent terminal
- U or L bends for specific layouts
- Side reflectors and brackets
- Lower shields and brackets
- Thermostats, 24v or 120v
- Chain kits

## DIMENSIONS (Inches)



## CLEARANCES TO COMBUSTIBLES (Inches)

MODEL	AUX OR ATX 60			AUX OR ATX 100			AUX OR ATX 125			AUX 175		
	Top	Side	Below	Top	Side	Below	Top	Side	Below	Top	Side	Below
Straight - Horizontal	2	25	58	2	30	67	4	33	71	6	40	78
Straight - 45° Tilt	4	4-46	50	4	4-58	67	6	4-63	70	8	4-67	74
U-Tube Horizontal	2	25	59	2	30	71	4	34	74	6	40	78

### SPECIFICATIONS

<b>ELECTRICAL RATING</b> 120 VAC 60 Hz 1A 60" grounded plug connector	<b>GAS CONNECTION</b> 1/2" NPT
<b>TUBE DIAMETER</b> Combustion air 4" Flue 4"	<b>MINIMUM GAS INLET</b> Natural gas 5.0" W.C. LPG gas 11.5" W.C.

- Other layout configurations are approved
- Lower clearances are allowable at 25' from burner
- Side reflectors and lower shields are available
- See installation manual for complete information

**Go to website for I/O manuals, specifications, submittal data and weights.**



**SUPERIOR**  
RADIANT PRODUCTS



Superior Radiant Products Ltd.  
563 Barton Street  
Stoney Creek ON L8E 5S1 Canada

Superior Radiant Products Inc.  
100 - 980 Cobb Place Blvd. NW  
Kennesaw, GA 30144-6801 USA

1 800 527 HEAT(4328) | tel 1 905 664 8274 | fax 1 905 664 8846  
sales@superiorradiant.com | www.superiorradiant.com

**SUPERIOR TECHNOLOGY SUPERIOR PERFORMANCE**

DISTRIBUTOR