

Replacement Parts

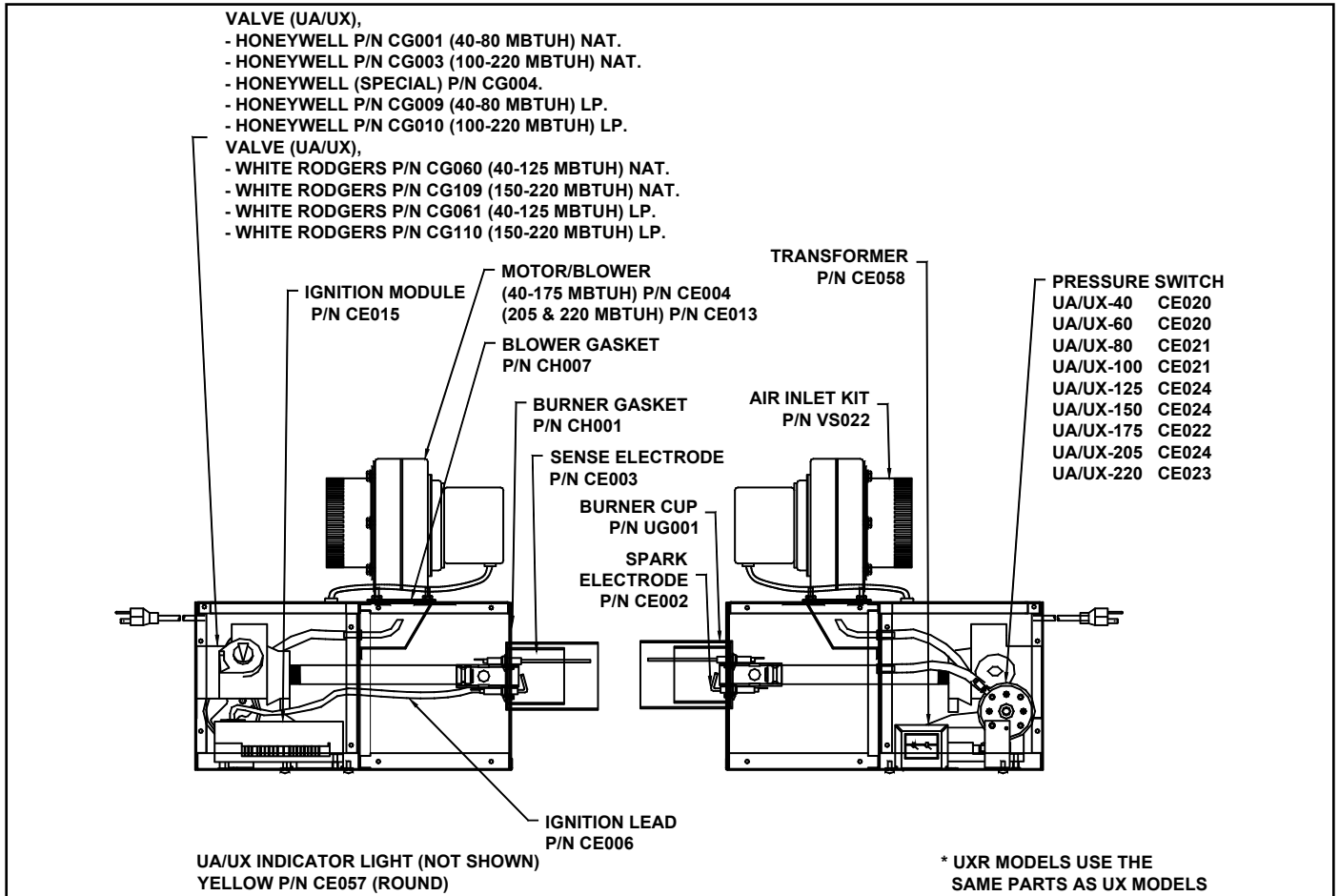


Figure 26